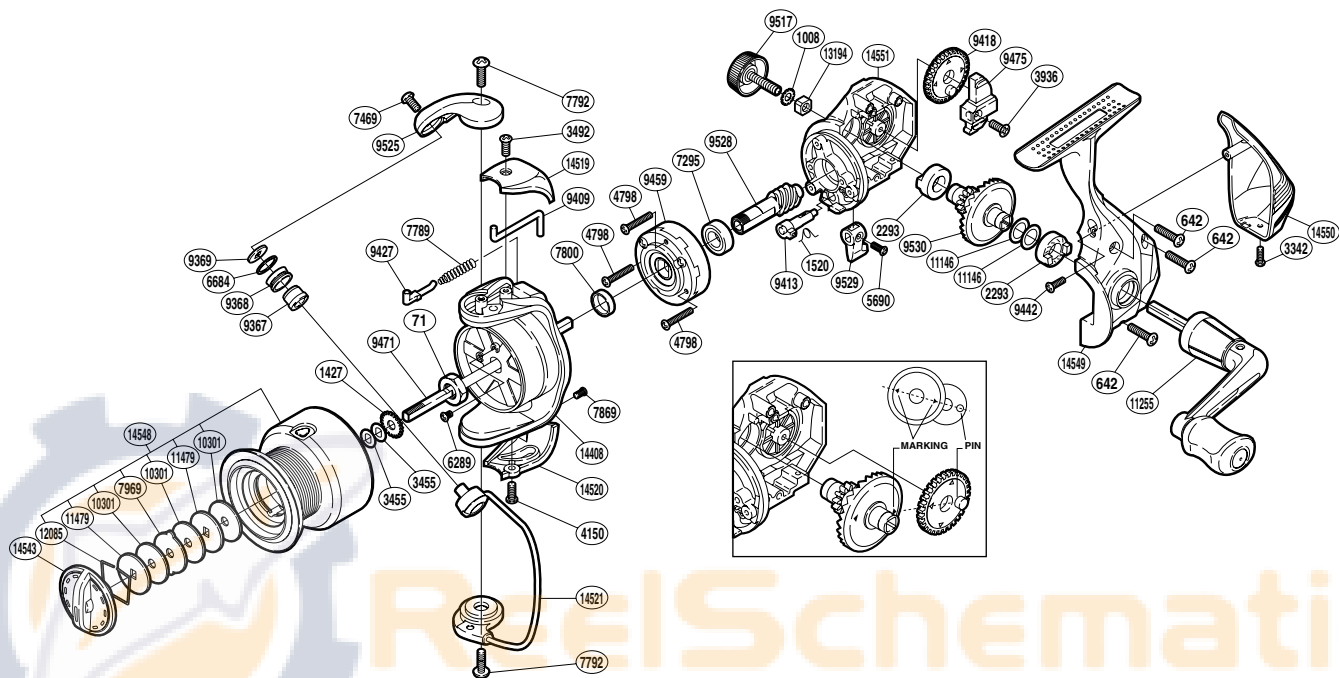


SHIMANO

ALIVIO

ALV-2500FC



(1SG702503G)

Please note that the number of adjusting washers may not be the same as shown in the exploded views. (Adjustment will vary with each individual product.)

Part No.	Description	Part No.	Description	Part No.	Description
RD 0071	Rotor Nut	RD 7792	Screw	RD 9529	Anti-Reverse Lever
RD 0642	Screw	RD 7800	Rotor Ring	RD 9530	Drive Gear
RD 1008	Handle Lock Washer	RD 7869	Screw	RD10301	Drag Washer
RD 1427	Spool Support	RD 7969	Eared Washer	RD11146	Washer
RD 1520	Anti-Reverse Cam Spring	RD 9367	Line Roller Bushing	RD11255	Handle Assembly
RD 2293	Drive Gear Bushing	RD 9368	Line Roller	RD11479	Key Washer
RD 3342	Screw	RD 9369	Line Roller Washer	RD12085	Drag Washers Retainer
RD 3455	Spool Washer	RD 9409	Bail Trip Lever	RD13194	Handle Screw Lock
RD 3492	Screw	RD 9413	Anti-Reverse Cam	RD14408	Rotor
RD 3936	Screw	RD 9418	Oscillating Gear	RD14519	Bail Spring Cover
RD 4150	Screw	RD 9427	Bail Spring Guide	RD14520	Bail Hold Support Guard
RD 4798	Screw	RD 9442	Screw	RD14521	Bail Assembly
RD 5690	Screw	RD 9459	Roller Clutch Assembly	RD14543	Drag Knob
RD 6289	Screw	RD 9471	Main Shaft	RD14548	Spool Assembly
RD 6684	Line Roller Spacer	RD 9475	Oscillating Slider	RD14549	Side Cover
RD 7295	Ball Bearing	RD 9517	Handle Screw Cap	RD14550	Rear Protector
RD 7469	Screw	RD 9525	Bail Arm	RD14551	Body
RD 7789	Bail Spring	RD 9528	Pinion Gear		